

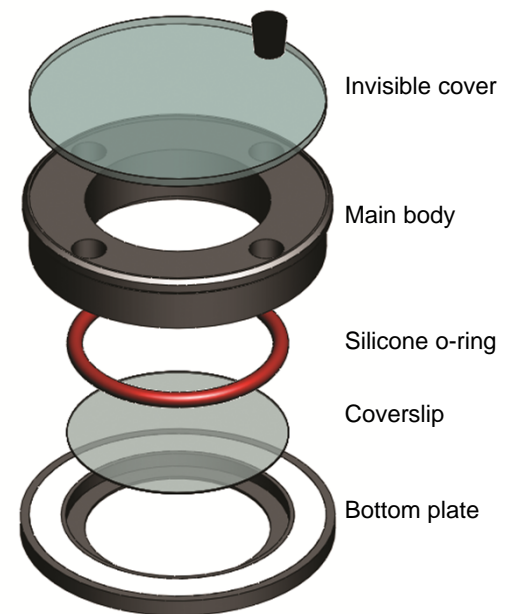
Chamlide CMB

35mm dish type 1-well magnetic chambers for round coverslip

- The Chamlide™ uses a **patented magnetic system** for easy assembly.
- Conventional screw-type assembly systems often result in broken coverslips, drying out the medium during assembly, or leaking of the medium during observation. Installing a coverslip into a Chamlide™ takes seconds. It is extremely easy to use, safe and never leaks.
- The exterior size of Chamlide CMB is the same as 35mm culture dish
- A re-useable Chamlide™ can replace several expensive consumable coverslip-bottomed 35mm dishes.
- Chamlide CMB can be used with the Chamlide MB (multi-hole bottom plate) and the Chamlide MD (6-dish holder).
- Can control the biological environment using Chamlide incubator systems like Chamlide TC, Chamlide IC, or Chamlide WP for 6 well plate and gas mixing systems such as FC-5 or FC-7 for live cell imaging.



Chamlide CMB for 18mm and 25mm coverslip



Patented magnetic chamber system

How to use Chamlide magnetic chambers

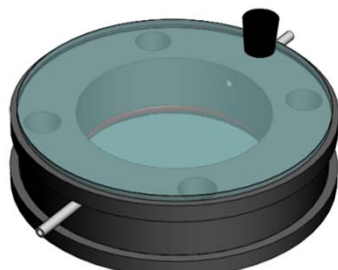
1. Culture the cells on a coverslip.
2. Using a forceps, transfer a coverslip to the bottom plate.
3. Place the main body close to the bottom plate
(The main body will automatically attach to the bottom plate by **magnetic force**.)
4. Fill the chamber with an observation medium.

* You can also use pre-assembled chamber to directly seed the cells.

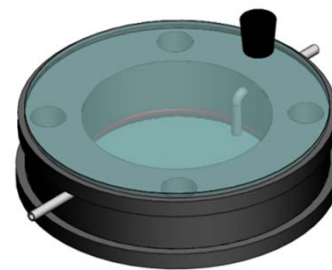
■ Chamlide CMB for injection



Standard Chamlide CMB



Straight tubing type Chamlide CMB



L-shape tubing type Chamlide CMB

- There are 2 types of Chamlide CMBs for injection. : Straight tubing type Chamlide CMB and L-shape tubing type Chamlide CMB.
- All of two types can inject the fresh medium or drug into the chamber, and the different thing is that the L-shape tubing type Chamlide CMB is possible to remove almost the medium inside the chamber using suction.

Specifications

35mm dish type magnetic chamber for 18mm coverslip internal volume

Maximum 1.2 ml

35mm dish type magnetic chamber for 25mm coverslip internal volume

Maximum 2.7 ml

Chamber material

Body	Black polycarbonate
Bottom	Aluminum alloy, steel
Cover	Glass
O-ring	Silicone

Model No.	Product	Model No.	Product
CM-B12-1	Chamlide CMB for 12mm round coverslips	CM-B20-1	Chamlide CMB for 20mm round coverslips
CM-B12-1PA	Straight tubing type CM-B12-1	CM-B20-1PA	Straight tubing type CM-B20-1
CM-B12-1PB	L-shape tubing type CM-B12-1	CM-B20-1PB	L-shape tubing type CM-B20-1
CM-B15-1	Chamlide CMB for 15mm round coverslips	CM-B22-1	Chamlide CMB for 22mm round coverslips
CM-B15-1PA	Straight tubing type CM-B15-1	CM-B22-1PA	Straight tubing type CM-B22-1
CM-B15-1PB	L-shape tubing type CM-B15-1	CM-B22-1PB	L-shape tubing type CM-B22-1
CM-B18-1	Chamlide CMB for 18mm round coverslips	CM-B25-1	Chamlide CMB for 25mm round coverslips
CM-B18-1PA	Straight tubing type CM-B18-1	CM-B25-1PA	Straight tubing type CM-B25-1
CM-B18-1PB	L-shape tubing type CM-B18-1	CM-B25-1PB	L-shape tubing type CM-B22-1

Chamlide CMM

35mm dish type multi-well magnetic chambers for round coverslip

2 / 4-well Chamlide CMM for 25mm round coverslip



- 2-well chamber and 4-well chamber for 25mm round coverslip.
- Silicon gasket prevents bleeding of the medium between wells.
- The exterior size of Chamlide CM-M25-2/4 is the same as 35mm culture dish.
- Other features are the same as Chamlide magnetic chamber.
- Can use with the Chamlide MB (multi-hole bottom plate) and the Chamlide MD (6-dish holder).
- Can control the biological environment using Chamlide incubator systems like Chamlide TC, Chamlide IC, or Chamlide WP for 6 well plate and gas mixing systems such as FC-5 or FC-7 for live cell imaging.



Specifications

25mm coverslip type 2-well magnetic chamber (CM-M25-2) internal volume
25mm coverslip type 4-well magnetic chamber (CM-M25-4) internal volume
12mm coverslip type 4-well magnetic chamber (CM-M12-4) internal volume
Chamber material

Maximum 1.0 ml / well

Maximum 450 μl / well

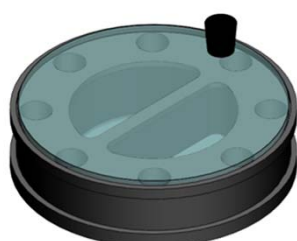
Maximum 400 μl / well

Body	Black polycarbonate
Bottom	Aluminum alloy, steel
Cover	Glass
Gasket	Silicone

4-well Chamlide CMM for 12mm round coverslip



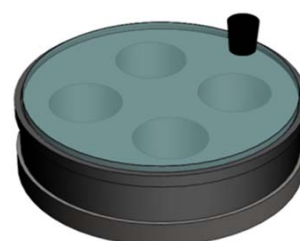
- 4-well chamber for 12mm round coverslips.
- Use four 12mm coverslips and a silicone gasket.
- The exterior size of Chamlide CM-M12-4 is the same as 35mm culture dish.
- Other features are the same as Chamlide magnetic chamber.
- Can use with Chamlide MD (6-dish holder).
- Can control the biological environment using Chamlide incubator systems like Chamlide TC, Chamlide IC, or Chamlide WP for 6 well plate and gas mixing systems such as FC-5 or FC-7 for live cell imaging.



2 well Chamlide CMM
for 25mm round coverslip



4 well Chamlide CMM
for 25mm round coverslip



4 well Chamlide CMM
for 12mm round coverslip

Model No.

CM-M25-2

CM-M25-4

CM-M12-4

Product

2 well Chamlide CMM for 25mm round coverslip

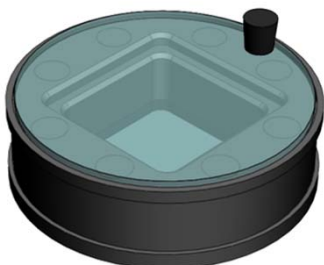
4 well Chamlide CMM for 25mm round coverslip

4 well Chamlide CMM for 12mm round coverslip

Chamlide CMS

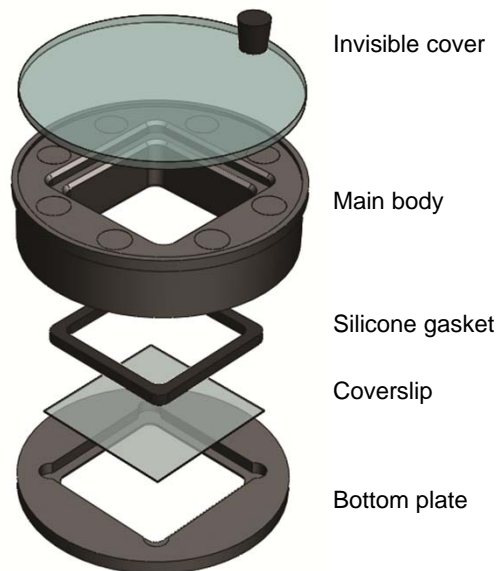
35mm dish type magnetic chambers for square coverslip

1-well Chamlide CMS



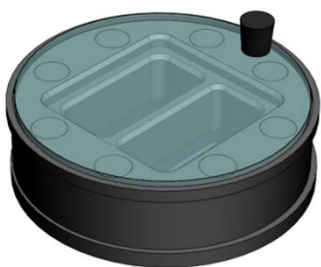
Coverslip available

18 mm x 18 mm
20 mm x 20 mm
22 mm x 22 mm
24 mm x 24 mm



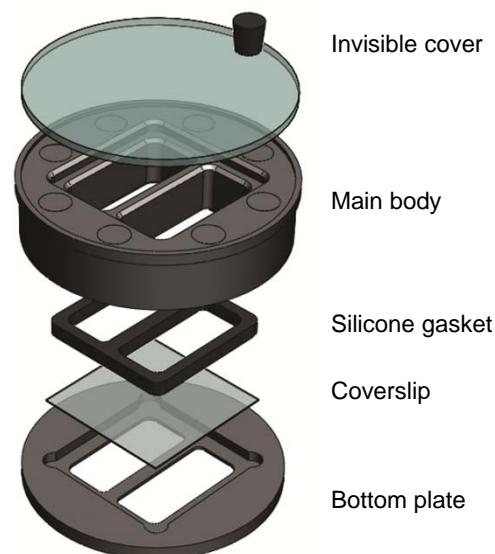
- 1-well Chamlide CMS is for the square coverslip, and available on 18 x 18 / 20 x 20 / 22 x 22 / 24x24mm coverslip
- Other functions and features are the same as the standard type Chamlide CMB.

2-well Chamlide CMS



Coverslip available

18 mm x 18 mm
20 mm x 20 mm
22 mm x 22 mm
24 mm x 24 mm



- 2-well Chamlide CMS is for the square coverslip, and available on 18 x 18 / 20 x 20 / 22 x 22 / 24x24mm coverslip
- Other functions and features are the same as the standard type Chamlide CMM.

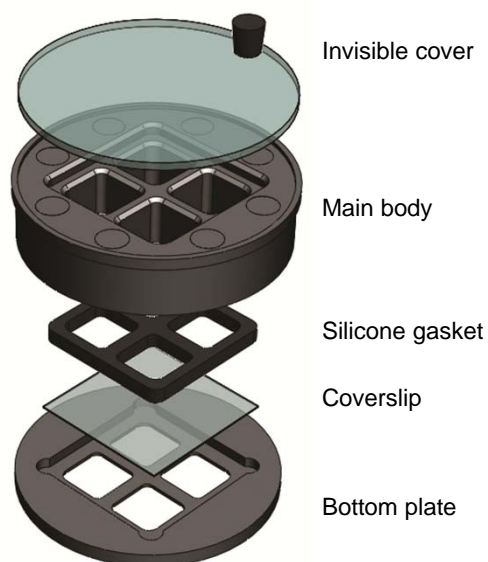
4-well Chamlide CMS



Coverslip available

18 mm x 18 mm
20 mm x 20 mm
22 mm x 22 mm
24 mm x 24 mm

- 4-well Chamlide CMS is for the square coverslip, and available on 18 x 18 / 20 x 20 / 22 x 22 / 24x24mm coverslip
- Other functions and features are the same as the standard type Chamlide CMM.



Specifications

24x24mm coverslip type 1-well magnetic chamber internal volume

Maximum 2.0 ml / well

24x24mm coverslip type 2-well magnetic chamber internal volume

Maximum 800 μ l / well

24x24mm coverslip type 4-well magnetic chamber internal volume

Maximum 400 μ l / well

Chamber material

Body	Black polycarbonate
Bottom	Aluminum alloy
Cover	Glass
Gasket	Silicone

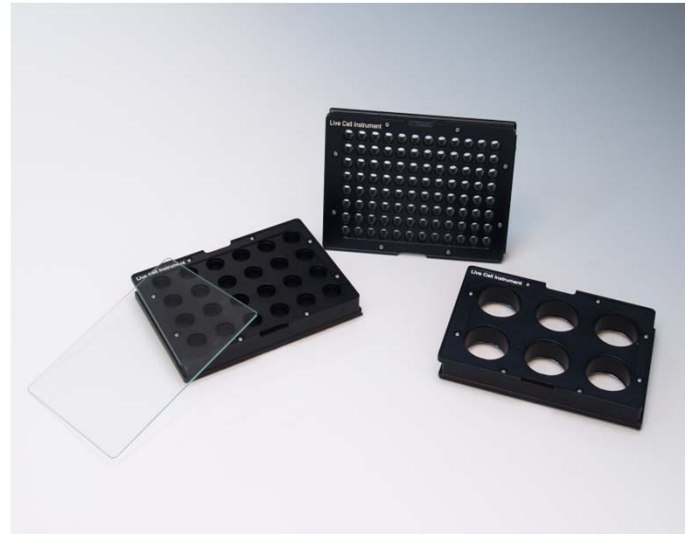
Model No.

Product

CM-S18-1	1 well Chamlide CMS for 18x18mm coverslip
CM-S20-1	1 well Chamlide CMS for 20x20mm coverslip
CM-S22-1	1 well Chamlide CMS for 22x22mm coverslip
CM-S24-1	1 well Chamlide CMS for 24x24mm coverslip
CM-S18-2	2 well Chamlide CMS for 18x18mm coverslip
CM-S20-2	2 well Chamlide CMS for 20x20mm coverslip
CM-S22-2	2 well Chamlide CMS for 22x22mm coverslip
CM-S24-2	2 well Chamlide CMS for 24x24mm coverslip
CM-S18-4	4 well Chamlide CMS for 18x18mm coverslip
CM-S20-4	4 well Chamlide CMS for 20x20mm coverslip
CM-S22-4	4 well Chamlide CMS for 22x22mm coverslip
CM-S24-4	4 well Chamlide CMS for 24x24mm coverslip

Chamlide PT

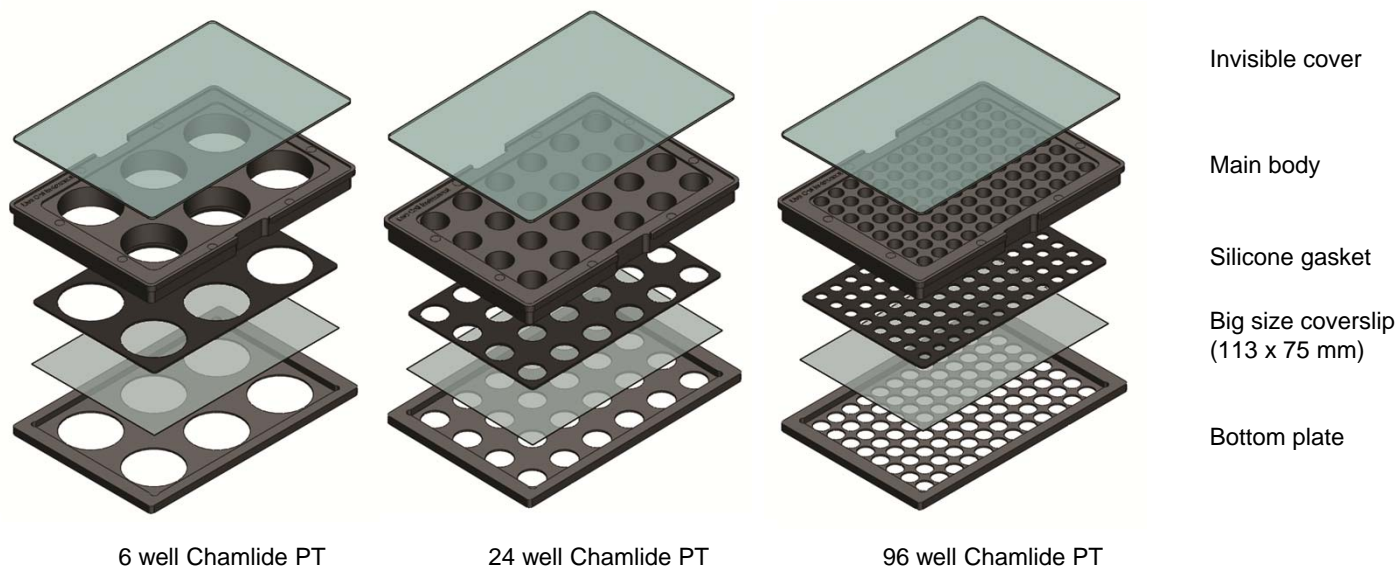
Well plate type multi-well magnetic chamber



- Replace an expensive disposable cover glass bottom well plate.
- Semi-permanent.
- Simply remove and replace the bottom cover glass for next use.
- Auto-cleavable.
- Use silicone gaskets to prevent leaking.
- Use big size (113 x 75mm, #1.5, thickness ~0.17mm) coverslip. (See Page 49, 70091137B)
- Metal bottom for stable temperature control during live cell imaging.
- Non-toxic, non-reactive polycarbonate material.
- A patented magnetic multi-well chamber system for easy installation.
- Control the temperature and the CO₂ level using Chamlide WP and FC-5 for live cell imaging.

How to use Chamlide PT

1. Put the big size coverslip (113 x 75 mm) into the bottom plate.
2. Fit the main body with the silicone gasket.
3. Place the main body close to the bottom plate
(The main body will automatically attach to the bottom plate by **magnetic force**.)
4. Seed the cells into the chamber
5. Use it with Chamlide WP for live Cell imaging or Put it in the CO₂ incubator for cell culture.



6 well Chamlide PT

24 well Chamlide PT

96 well Chamlide PT



Specifications

6-well plate type magnetic chamber internal volume	Maximum	5.5 ml / well
24-well plate type magnetic chamber internal volume	Maximum	1.0 ml / well
96-well plate type magnetic chamber internal volume	Maximum	230 μ l / well
Material	Main body	Black polycarbonate
	Bottom	Black anodized aluminum alloy, steel
	Cover	Glass
	Gasket	Silicone

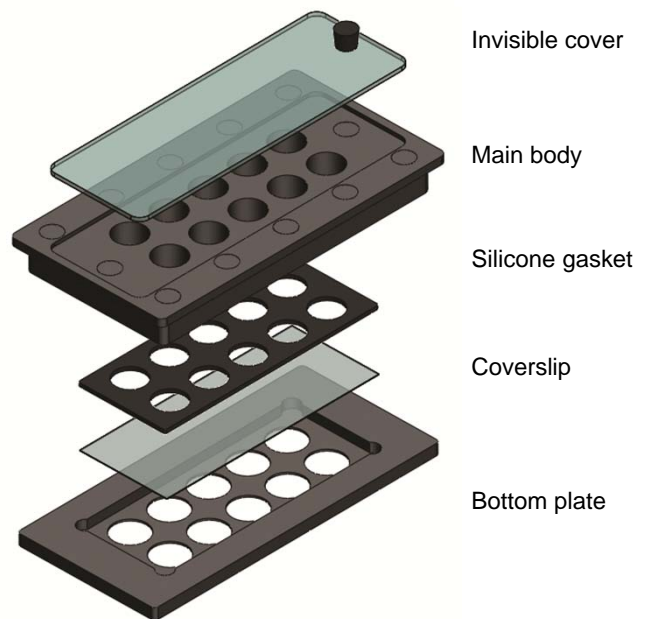
Model No.	Product
PT-S-06	6 well Chamlide PT
PT-S-12	12 well Chamlide PT
PT-S-24	24 well Chamlide PT
PT-S-48	48 well Chamlide PT
PT-S-96	96 well Chamlide PT

Well-Slip

Coverslip bottom magnetic chamber for rectangular coverslip



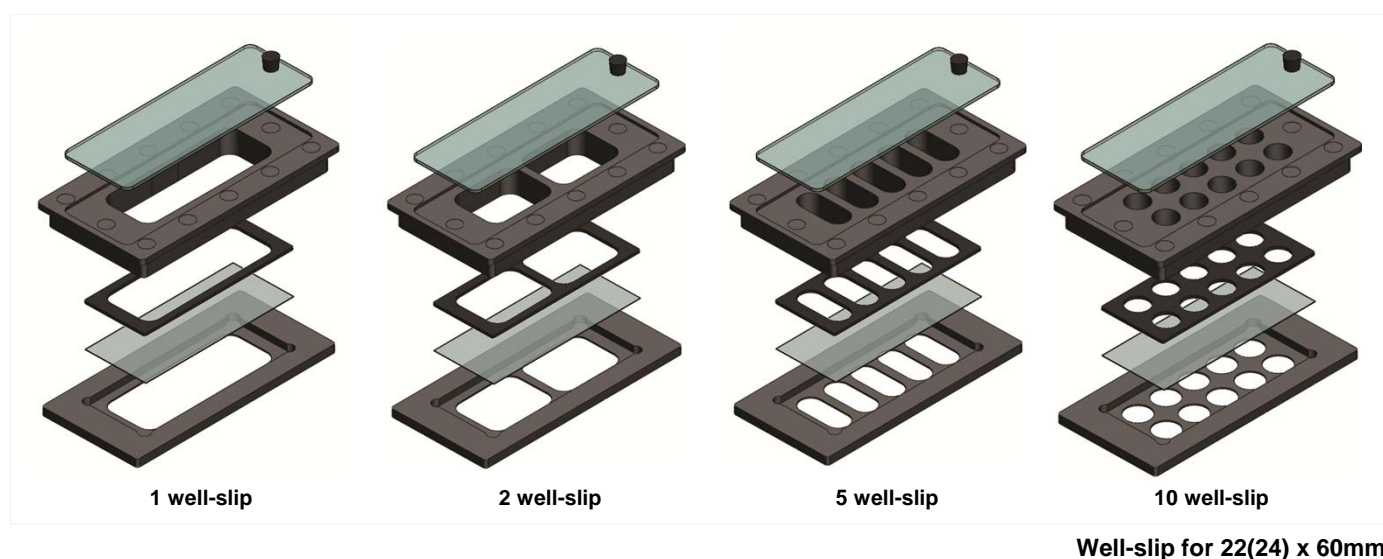
- Coverslip bottom multi-well chamber
- Replaces an expensive consumable chambered cover glass.
- Semi-permanent (re-useable).
- Simply remove and replace the bottom coverslip for next use.
- Autocleavable.
- Uses silicone gaskets to prevent leaking.
- Metal bottom for stable temperature control during live cell imaging.
- Non-toxic, non-reactive polycarbonate material.
- Patented magnetic system for easy assembly.
- Control the temperature and the CO₂ level using Chamlide TC and FC-5 for live cell imaging.



Specifications

Material	Main body	Black polycarbonate
	Bottom	Black anodized aluminum alloy
	Cover	Glass
	Gasket	Silicone

Coverslip available	Quantities of wells
22 mm x 32 mm	1 well / 2 well
22 mm x 40 mm	1 well / 2 well / 4 well
22 mm x 50 mm	1 well / 2 well / 4 well / 8 well
22 mm x 60 mm	1 well / 2 well / 5 well / 10 well
24 mm x 32 mm	1 well / 2 well
24 mm x 40 mm	1 well / 2 well / 4 well
24 mm x 50 mm	1 well / 2 well / 4 well / 8 well
24 mm x 60 mm	1 well / 2 well / 5 well / 10 well



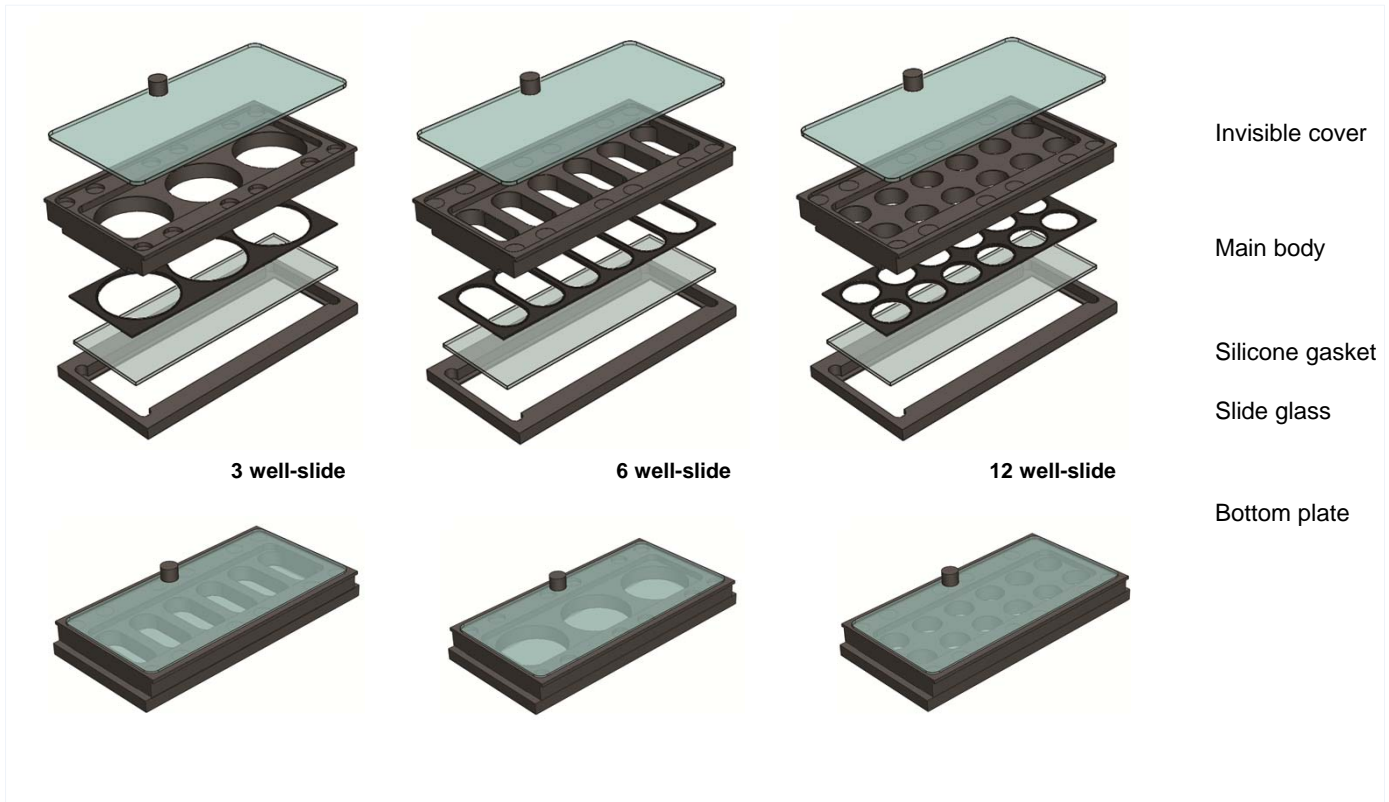
Model No.	Product
WL-2232-1	1 well-slip for 22x32mm coverslip
WL-2240-1	1 well-slip for 22x40mm coverslip
WL-2250-1	1 well-slip for 22x50mm coverslip
WL-2260-1	1 well-slip for 22x60mm coverslip
WL-2432-1	1 well-slip for 24x32mm coverslip
WL-2440-1	1 well-slip for 24x40mm coverslip
WL-2450-1	1 well-slip for 24x50mm coverslip
WL-2460-1	1 well-slip for 24x60mm coverslip
WL-2232-2	2 well-slip for 22x32mm coverslip
WL-2240-2	2 well-slip for 22x40mm coverslip
WL-2250-2	2 well-slip for 22x50mm coverslip
WL-2260-2	2 well-slip for 22x60mm coverslip
WL-2432-2	2 well-slip for 24x32mm coverslip

Model No.	Product
WL-2440-2	2 well-slip for 24x40mm coverslip
WL-2450-2	2 well-slip for 24x50mm coverslip
WL-2460-2	2 well-slip for 24x60mm coverslip
WL-2240-4	4 well-slip for 22x40mm coverslip
WL-2250-4	4 well-slip for 22x50mm coverslip
WL-2440-4	4 well-slip for 24x40mm coverslip
WL-2450-4	4 well-slip for 24x50mm coverslip
WL-2260-5	5 well-slip for 22x60mm coverslip
WL-2460-5	5 well-slip for 24x60mm coverslip
WL-2250-8	8 well-slip for 22x50mm coverslip
WL-2450-8	8 well-slip for 24x50mm coverslip
WL-2260-10	10 well-slip for 22x60mm coverslip
WL-2460-10	10 well-slip for 24x60mm coverslip

Well-Slide

Slide glass bottom multi-well magnetic chamber

- Slide glass bottom multi-well chamber
- Best for immunohistochemistry staining.
- Replaces an expensive consumable chamber slide.
- Semi-permanent (re-useable).
- Simply remove and replace the bottom slide glass for next use.
- Autocleavable.
- Uses silicone gaskets to prevent leaking.
- Metal bottom for stable temperature control during live cell imaging.
- Non-toxic, non-reactive polycarbonate material.
- Patented magnetic system for easy assembly.
- Control the temperature and the CO₂ level using Chamlide TC and FC-5 for live cell imaging.



Specifications

Well-slide internal volume	12 well type	400 μl / well
	6 well type	1 ml / well
	3 well type	2 ml / well
Material	Main body	Polycarbonate
	Bottom	Black anodized aluminum alloy
	Cover	Glass
	Gasket	Silicone

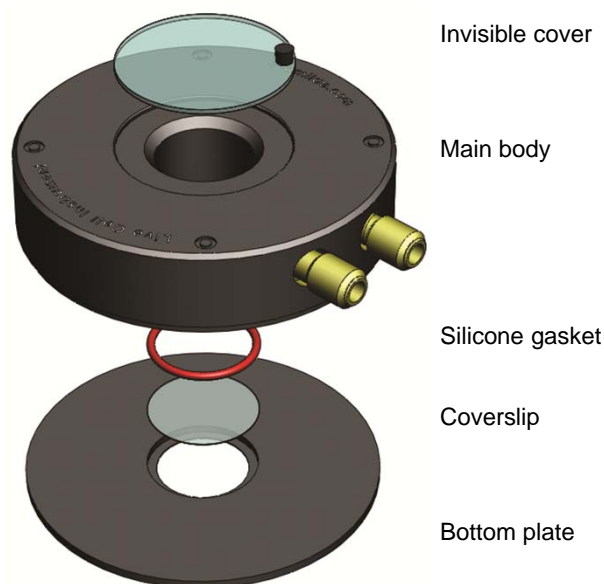
Model No.	Product
WS-S-03	3 well-slide
WS-S-06	6 well-slide
WS-S-12	12 well-slide

Chamlide WC

Water circulation magnetic chamber



- For the low temperature as well as high temperature experiment.
- Use Chamlide WC with water circulation bath to control the temperature of the chamber.



Specifications

Temperature range	Depends on water circulation bath	
Circulation water inlet/outlet port size	4 mm (O.D)	
Material	Main body	Polycarbonate & Aluminum alloy
	Bottom plate	Black anodized aluminum alloy

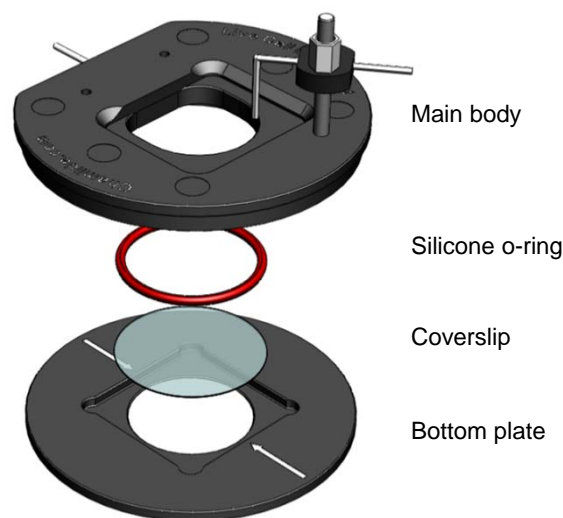
Model No.	Product
WC-R12	Chamlide WC for 12mm round coverslip
WC-R15	Chamlide WC for 15mm round coverslip
WC-R18	Chamlide WC for 18mm round coverslip
WC-R20	Chamlide WC for 20mm round coverslip
WC-R22	Chamlide WC for 22mm round coverslip
WC-R25	Chamlide WC for 25mm round coverslip

Chamlide AC

Perfusion type water volume adjustable magnetic chamber



- Perfusion type opened chamber
- To eliminate the problem of swirling and to achieve laminar flow during perfusion, Chamlide AC uses an oval shaped well in the chamber.
- Wide fluid inlet prevents shear damage to cells during perfusion.
- The height of the outlet port (or suction port) can be adjusted to control the media volume inside the chamber.
- Control the temperature of the chamber using a heating plate.
- Use with the fluidic inline heater(IHS-101) for controlling medium temperature.



Specifications

Internal volume of perfusion chamber for 18 ϕ coverslip

Maximum 0.6 ml

Internal volume of perfusion chamber for 25 ϕ coverslip

Maximum 1.5 ml

Material

Main body Black polycarbonate

Bottom plate Black anodized aluminum alloy

Inlet/outlet port tubing size

1.0 mm (O.D)

Chamber physical dimension

Main body 55 ϕ x 5T

Bottom plate 55 ϕ x 2T

Model No.

Product

AC-B15

Chamlide AC for 15mm round coverslip

AC-B18

Chamlide AC for 18mm round coverslip

AC-B20

Chamlide AC for 20mm round coverslip

AC-B22

Chamlide AC for 22mm round coverslip

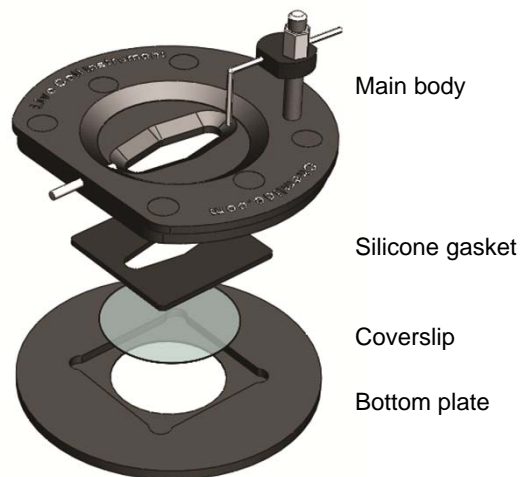
AC-B25

Chamlide AC for 25mm round coverslip

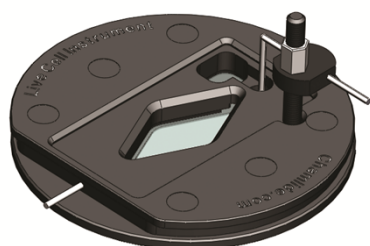
Chamlide AC-P (Chamlide AC for the patch clamp)



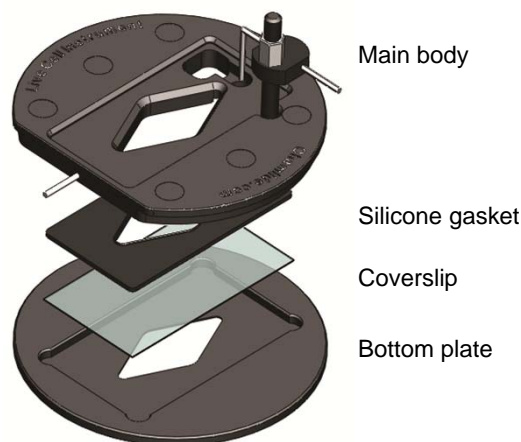
- For the patch clamp experiment
- The opening of the patch clamp type Chamlide AC is wider than the standard type for easy access of external manipulators.
- For fast medium change, the opening is elliptical.



Chamlide AC-PS (Chamlide AC for the patch clamp)



- Minimize water surface fluctuation during perfusion.
- Use 24(22)x40 rectangular coverslip.
- Other functions and shapes are same as Chamlide AC-P.



Specifications

Internal volume of AC-P(PS) for 18 ϕ coverslip

Maximum 0.6 ml

Internal volume of AC-P(PS) for 25 ϕ coverslip

Maximum 1.5 ml

Material

Main body Black polycarbonate
Bottom plate Black anodized aluminum alloy

Inlet/outlet port tubing size

1.0 mm (O.D)

Chamber physical dimension

Main body 55 ϕ x 5T
Bottom plate 55 ϕ x 2T

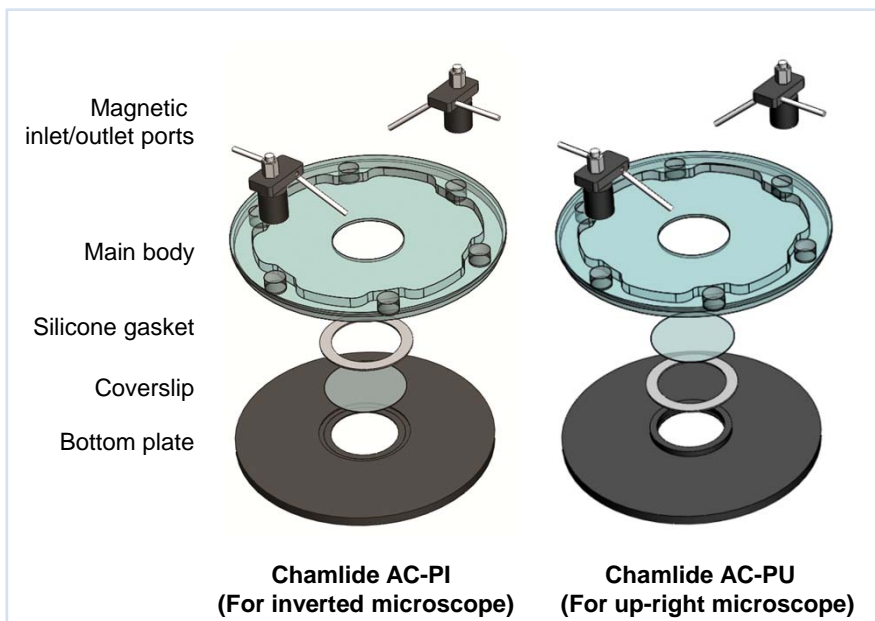
Model No.	Product
AC-P15	Chamlide AC-P for 15mm round coverslip
AC-P18	Chamlide AC-P for 18mm round coverslip
AC-P20	Chamlide AC-P for 20mm round coverslip
AC-P22	Chamlide AC-P for 22mm round coverslip
AC-P25	Chamlide AC-P for 25mm round coverslip

Model No.	Product
AC-PS2240	Chamlide AC-PS for 22mm x 40 mm rectangular coverslip
AC-PS2440	Chamlide AC-PS for 24mm x 40 mm rectangular coverslip

Chamlide AC-PI/ Chamlide AC-PU (Wide Chamlide AC-P)



- For the patch clamp experiment
- The Chamlide AC-PI is the perfusion chamber for the inverted microscope and the Chamlide AC-PU is for the up-right microscope
- The opening of the Chamlide AC-PI/PU is wider than the Chamlide AC-P for access of external manipulators more easily.
- For convenience of the approach of the external manipulator, perfusion inlet/outlet ports can be moved and attached using magnetic force.



Model No.	Product
AC-PI15	Chamlide AC-PI for 15mm round coverslip
AC-PI18	Chamlide AC-PI for 18mm round coverslip
AC-PI20	Chamlide AC-PI for 20mm round coverslip
AC-PI22	Chamlide AC-PI for 22mm round coverslip
AC-PI25	Chamlide AC-PI for 25mm round coverslip

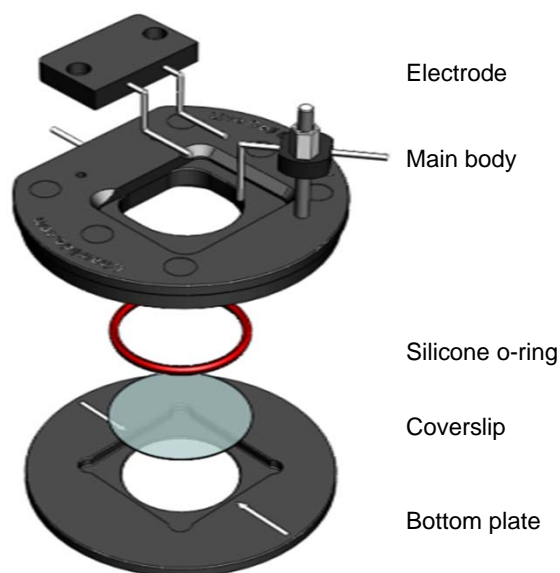
Model No.	Product
AC-PU15	Chamlide AC-PU for 15mm round coverslip
AC-PU18	Chamlide AC-PU for 18mm round coverslip
AC-PU20	Chamlide AC-PU for 20mm round coverslip
AC-PU22	Chamlide AC-PU for 22mm round coverslip
AC-PU25	Chamlide AC-PU for 25mm round coverslip

Chamlide EC

Perfusion type electric stimulation magnetic chamber



- For applications requiring field stimulation, Chamlide EC is supplied with a pair of platinum electrodes. The electrodes are installed along the two parallel sides of the bath.
- The pin connector that supplies the electric current from the stimulator can be removed for diverse uses.
- Other features are the same as the Chamlide AC except the electrode part.
- Patented magnetic system for easy assembly.
- Use with IHS-101 (the fluidic inline heater) for controlling medium temperature.
- Control the temperature of the chamber using a heating plate.



Specifications

Internal volume of perfusion chamber for 18 ϕ coverslip	Maximum 0.6ml
Internal volume of perfusion chamber for 25 ϕ coverslip	Maximum 1.5ml
Pt electrode	0.5 mm (O.D) x 30
Inlet/outlet port tubing size	1.0 mm (O.D)
Chamber physical dimension	Main body 55 ϕ x 5T Bottom plate 55 ϕ x 2T

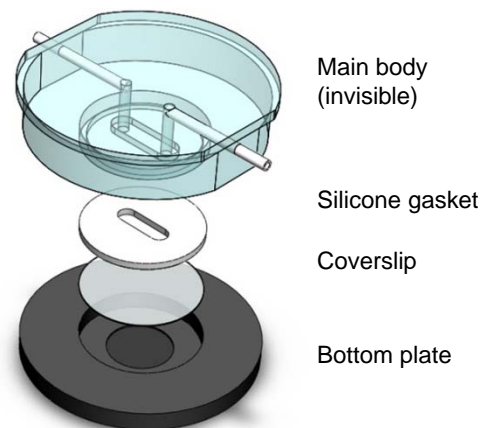
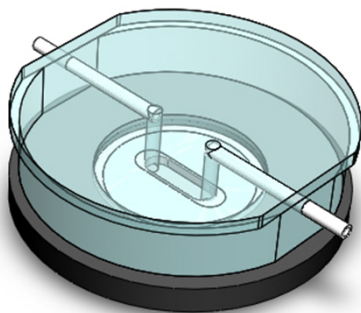
Model No.

Model No.	Product
EC-B15	Chamlide EC for 15mm round coverslip
EC-B18	Chamlide EC for 18mm round coverslip
EC-B20	Chamlide EC for 20mm round coverslip
EC-B22	Chamlide EC for 22mm round coverslip
EC-B25	Chamlide EC for 25mm round coverslip

Chamlide CF, Chamlide CF-EC

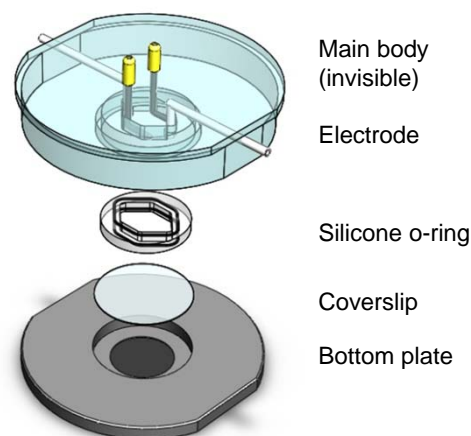
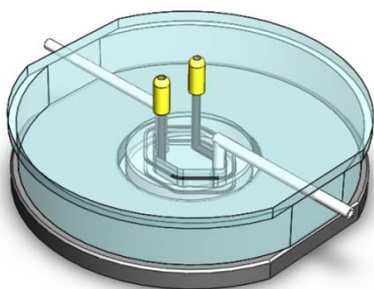
Perfusion type closed magnetic chamber, Shear stress chamber

- Very fast medium exchange.
- The thickness of the silicone gasket is even, and the internal volume depends on the height of the projecting part toward the bottom of the main body.
- If the height of the channel is **200 μ m**, it can use for cell adhesion studies by **shear stress**.
- The shape of gasket inside can be custom-made.



Chamlide CF-EC, Electric stimulation CF

- For applications requiring field stimulation, Chamlide CF-EC is supplied with a pair of platinum electrodes.
- The electrodes are installed along the two parallel sides of the bath.



Specifications

Magnetic closed chamber internal volume

Depends on channel shape and size

Material

Main body	Invisible polycarbonate
Bottom	Black anodized aluminum alloy
Gasket	Silicone
Electrode	Platinum

Model No.

Product

CF-S15-A, B or C Chamlide CF for 15mm round coverslip
 CF-S18-A, B or C Chamlide CF for 18mm round coverslip
 CF-S20-A, B or C Chamlide CF for 20mm round coverslip
 CF-S22-A, B or C Chamlide CF for 22mm round coverslip
 CF-S25-A, B or C Chamlide CF for 25mm round coverslip

Model No.

Product

CF-EC-S15-A, B or C Chamlide CF-EC for 15mm round coverslip
 CF-EC-S18-A, B or C Chamlide CF-EC for 18mm round coverslip
 CF-EC-S20-A, B or C Chamlide CF-EC for 20mm round coverslip
 CF-EC-S22-A, B or C Chamlide CF-EC for 22mm round coverslip
 CF-EC-S25-A, B or C Chamlide CF-EC for 25mm round coverslip

- ◆ “A” has 0.2mm internal height, “B” has 0.5mm internal height, “C” has 1.0mm internal height

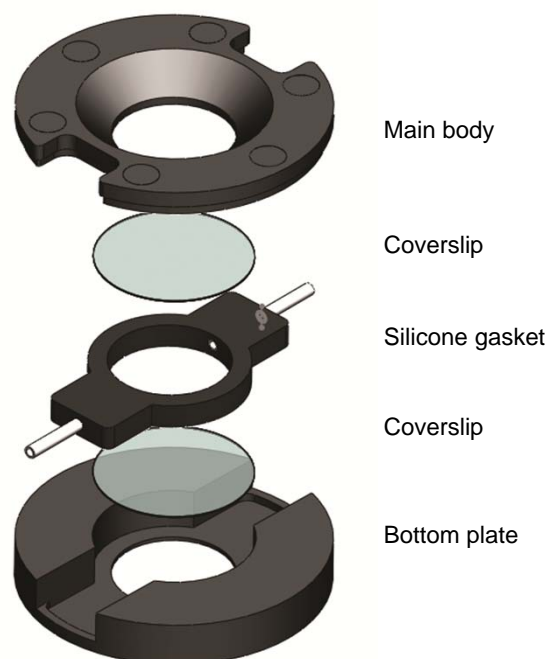
Chamlide CF-T

Chamlide CF using two coverslips



For perfect transmission imaging

- Uses a coverslip as a lid.
- Very good for high quality transmission imaging like DIC.
- Closed type but perfusion is also possible.
- Patented magnetic system for easy assembly.
- Uses silicone gasket (2.5mm thickness is the default).
- The size of chamber and width of gasket can be custom-made.
- Use with IHS-101 (the fluidic inline heater) for controlling medium temperature.
- Control the temperature of the chamber using a heating plate.
- Other functions and features are the same as the standard type Chamlide CF.
- The shape of gasket inside can be custom-made.



Specifications

Magnetic closed chamber internal volume

Depends on the gasket shape

Material

Main body	Black anodized aluminum alloy
Bottom	Black anodized aluminum alloy
Gasket	Silicone

Model No.

CF-T12
CF-T15
CF-T18
CF-T20
CF-T22
CF-T25

Product

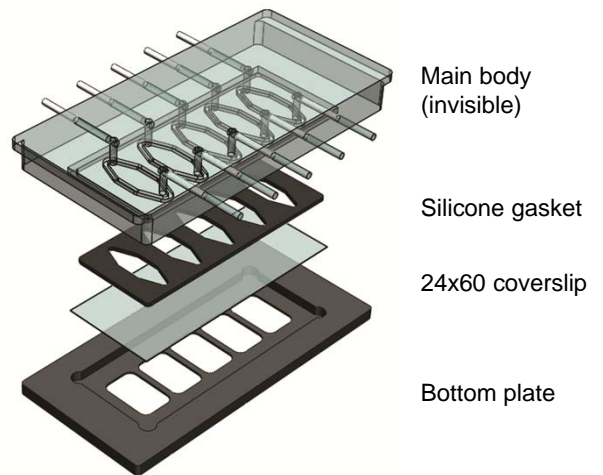
Chamlide CF-T for 12mm round coverslip
Chamlide CF-T for 15mm round coverslip
Chamlide CF-T for 18mm round coverslip
Chamlide CF-T for 20mm round coverslip
Chamlide CF-T for 22mm round coverslip
Chamlide CF-T for 25mm round coverslip

Chamlide PM, PM-T

Perfusion type multi-well closed magnetic chamber



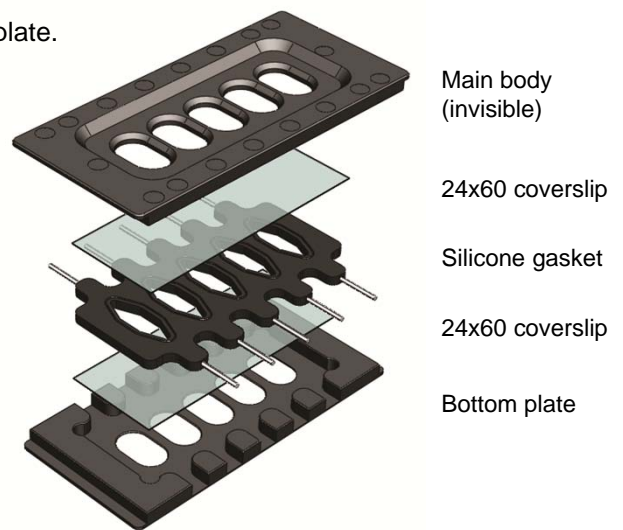
Chamlide PM



- Uses a 24 x 60mm coverslip as a bottom for high magnification microscopy.
- Closed type but perfusion is also possible.
- 5 well type is standard but more or less wells are also customized.
- Can individual multi-experiments on a coverslip by the media perfusion.
- Patented magnetic system for easy assembly.
- Control the temperature of the chamber using a heating plate.

For perfect transmission imaging

- Uses a coverslip as a lid.
- Very good for high quality transmission imaging like DIC.
- Uses silicone gasket (2.5mm thickness is the default).
- Other functions are same as chamlide PM.



Specifications

Magnetic closed chamber internal volume

Depends on the channel size and number

Material

Main body	Invisible polycarbonate (PM) Anodized aluminum alloy (PM-T)
Bottom	Black anodized aluminum alloy
Gasket	Silicone

Model No.

PM-S-10

PM-T-10

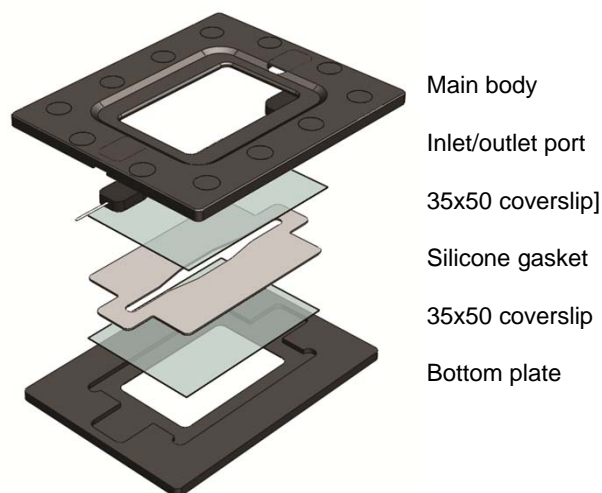
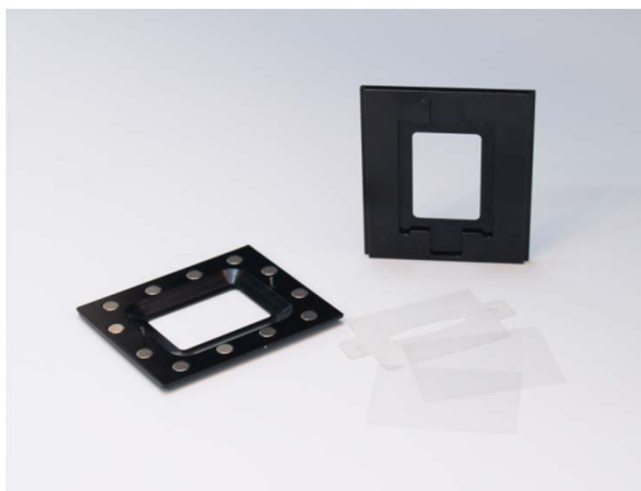
Product

Chamlide PM

Chamlide PM -T

Chamlide DF

Dark field chamber



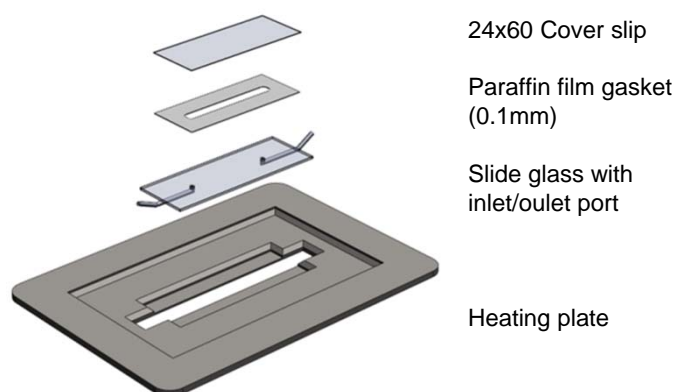
- Easy access of the condenser and the short-working distance lens for the dark field microscope.
- Use two 35 x 50mm coverslips and the internal height is 0.5 mm.
- Patented magnetic system for easy assembly.
- Fluid inlet/outlet to connect peristaltic pump or syringe pump.
- Control the temperature of the chamber using a heating plate
- Use with the fluidic inline heater to control medium temperature.

Chamlide DF-T

0.1 mm internal height chamber



Heating plate for DF-T



- Heating plate for Chamlide DF-T.
- Use 24 x 50mm coverslip for upper layer.
- Lower slide glass has inlet/outlet ports.
- Gasket is made by 0.1mm paraffin film and chamber internal height is 0.1mm.
- Use a heater such as hair dryer to attach or detach the gasket.

Model No.	Product
DF-S-10	Chamlide DF
DF-T-10	Chamlide DF-T